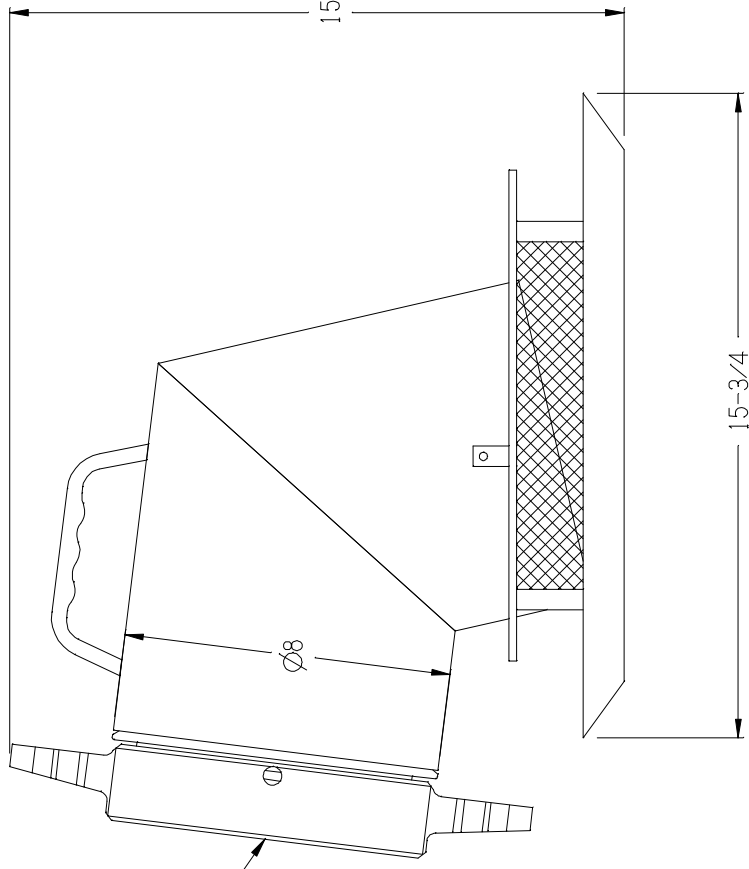
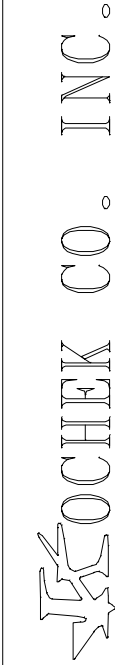


6 NH FEMALE SWIVEL



NOTES:
1. ALL DIMENSIONS ARE APPROXIMATE



ROCHER CO. INC.

PART DESCRIPTION:
6 NH LOW LEVEL STRAINER W/8" TUBING & EXTERNAL SCREEN

MATERIAL:
SAW CUT:

REV

DRAWN BY: J. MULLEN

SCALE: NONE

DWG. NO. LL602

DATE: 01/02/08

SHEET 1 OF 1

PART NO. LL602