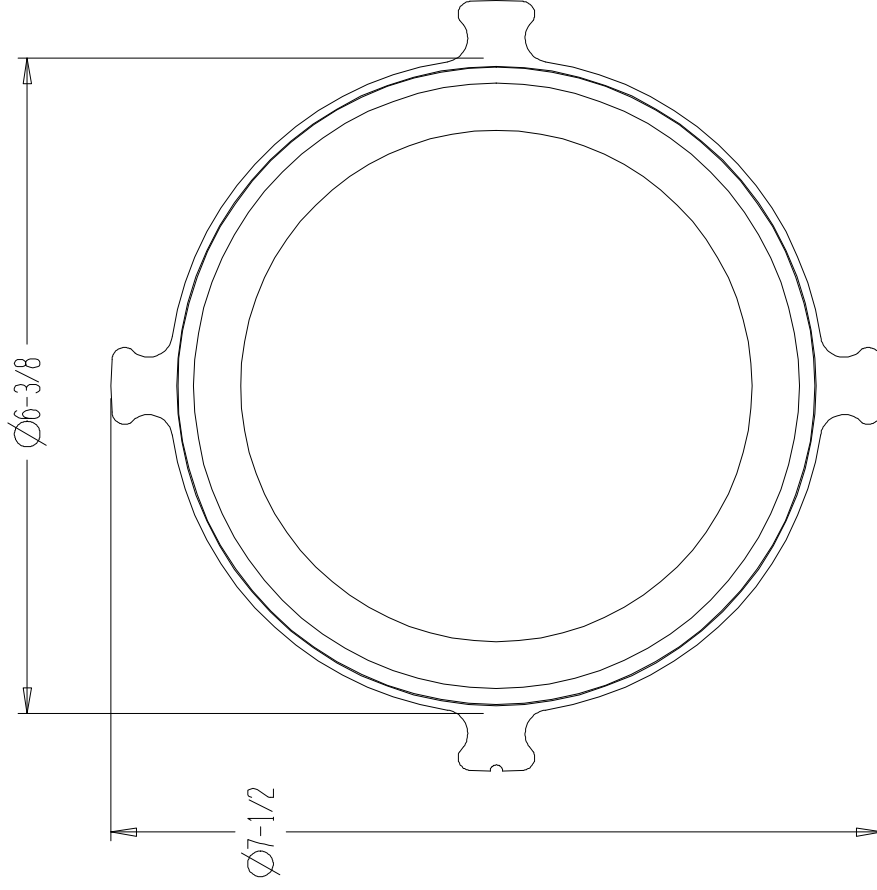


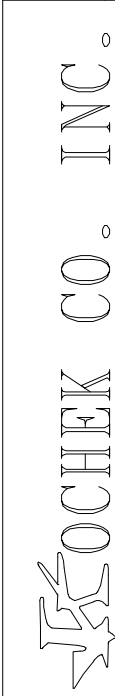
LEFT SIDE VIEW



FRONT VIEW

NOTES:

1. ALL DIMENSIONS ARE APPROXIMATE



PART DESCRIPTION:

4.5 NH RIG RL F X 5 NH M

REV

DRAWN BY: M. PETERSON

DWG. NO. 37R455

SCALE: NONE

DATE: 03/23/2011

PART NO. 37R455

SHEET 1 OF 1