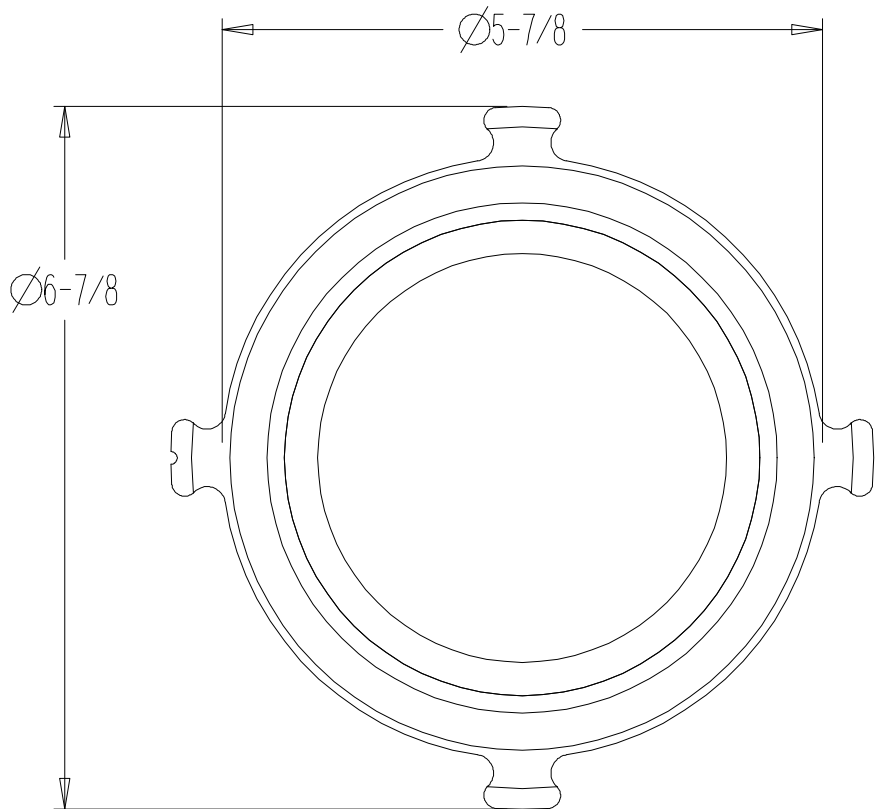


LEFT SIDE VIEW



FRONT VIEW

NOTES:
 1. ALL DIMENSIONS ARE APPROXIMATE

KOCHER CO. INC.

PART DESCRIPTION:
 4 NH RIG RL F X 4 NH M

REV	DRAWN BY: M. PETERSON
	SCALE: NONE

DWG. NO. 37R44
DATE: 07/07/14

PART NO. **37R44**

SHEET **1** OF **1**