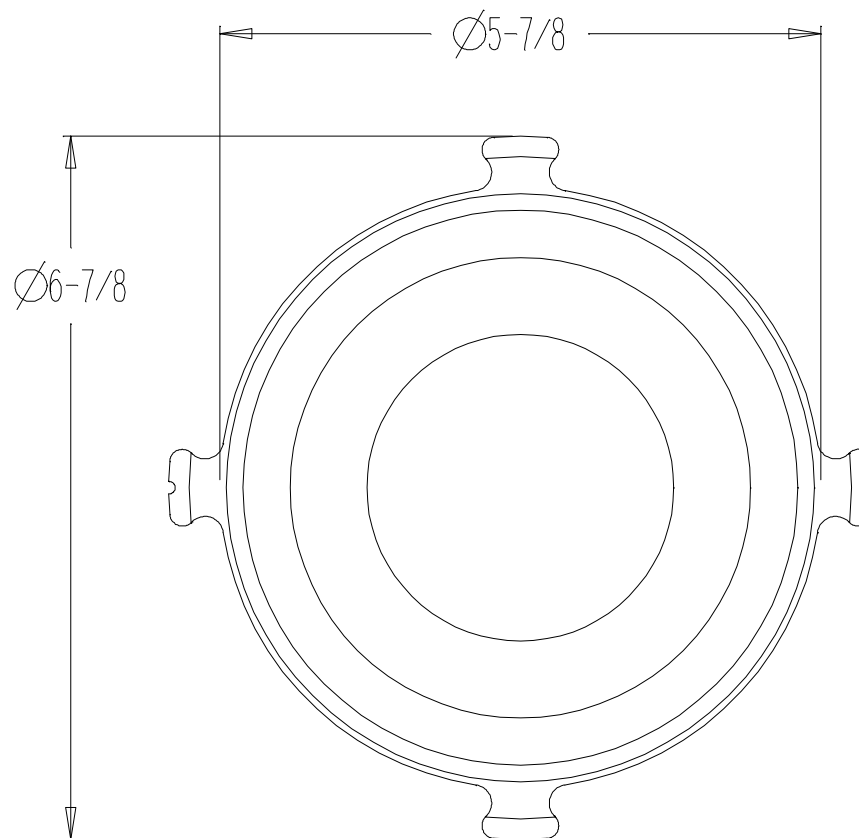


LEFT SIDE VIEW



FRONT VIEW

NOTES:
1. ALL DIMENSIONS ARE APPROXIMATE

KOCHER CO. INC.

PART DESCRIPTION:
3 NH RIG RL F X 4.5 NH M

REV

DRAWN BY: M. PETERSON

DWG. NO. 37R345

SCALE: NONE

DATE: 03/25/14

PART NO. 37R345

SHEET 1 OF 1