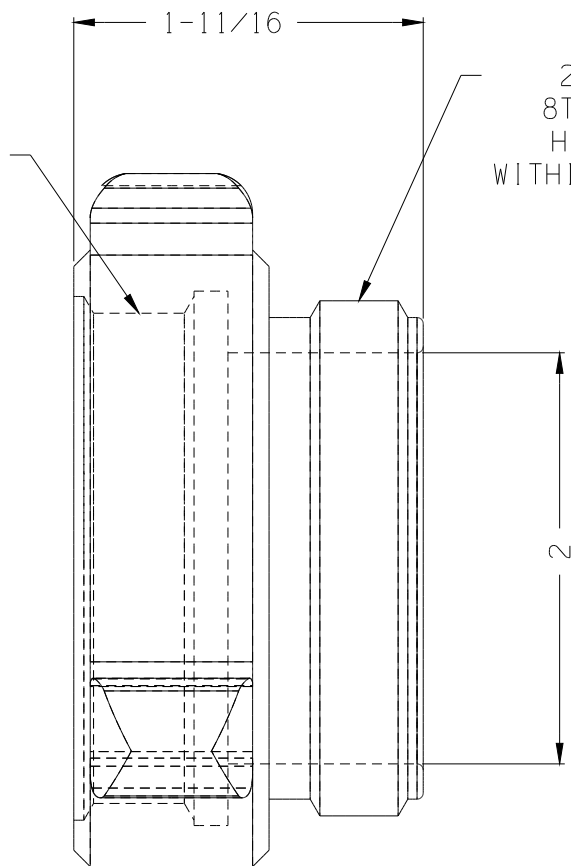
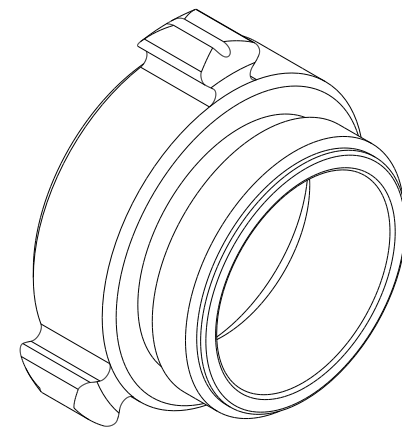


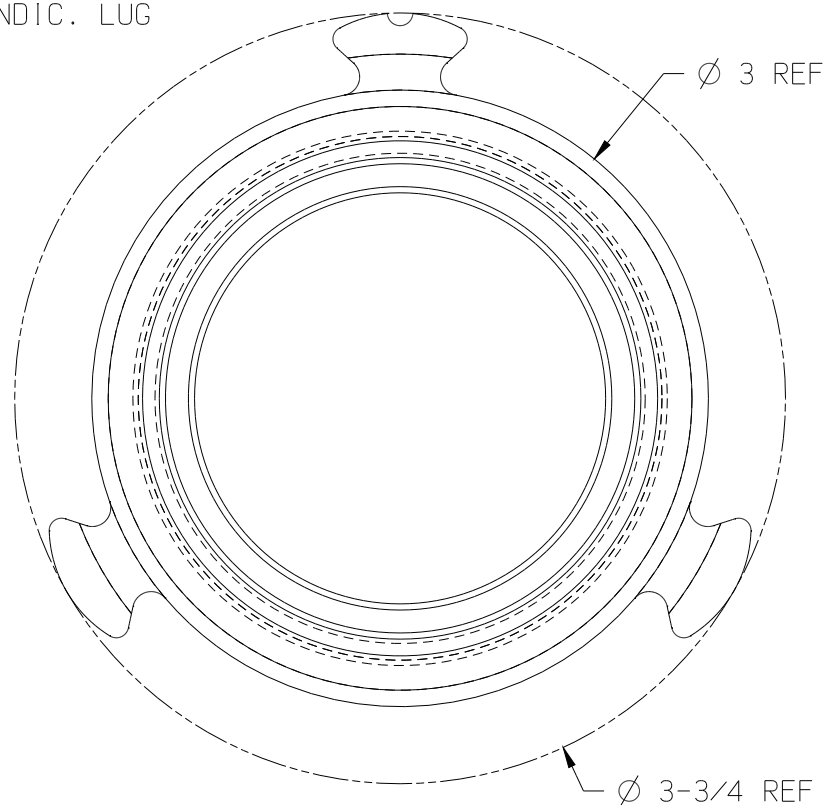
REVISIONS

REV	DESCRIPTION	DATE	APPROVED
A	CHNG MAT'L, EX2525 WAS EX2522	07/25/11	MP



2-8 NH MALE THD.
8TPI 0.1250" PITCH
HIGBEE FIRST THRD
WITHIN 20° OF INDIC. LUG

2-8 NH FEMALE THD.
8TPI 0.1250" PITCH
HIGBEE FIRST THRD
WITHIN 20° OF INDIC. LUG



CUSTOMER PRINT

- NOTES:
 1. BREAK ALL SHARP EDGES R.010 UNLESS OTHERWISE SPECIFIED
 2. APPROX. SHIPPED WEIGHT .40LB
 3. MATERIAL; 6061-T6 ALUM.



PART DESCRIPTION:
ADAPTER, RIGID RL - 2"NHf x 2"NHm

MATERIAL: SAW CUT:

REV
A

DRAWN BY: **M. PETERSON**
 SCALE: NONE

PART NO. **37R22u**

DWG. NO. **37R22u**

DATE: **07/25/11**

SHEET **1** OF **1**